

SCP SuperCompact - Painted

General characteristics

- Busbar for heavy distribution, with compact dimensions, and rated current from 630A to 5000A.
- Structure with excellent mechanical resistance (plate thickness 1,5mm).
- Very good heat dissipation thanks to a wide dispersing surface.
- Its structure without ventilation holes guarantees an IP55 protection rating.



- **4 conductors
(3L+N+PE).**

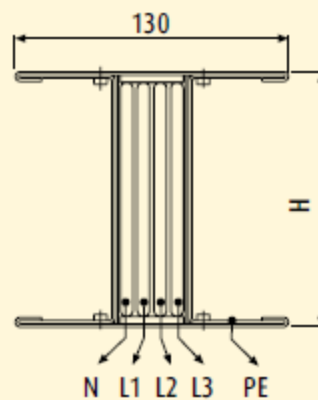
SCP line with 4 conductors

3L+N+PE, 3L+PEN, 3L+FE+PE

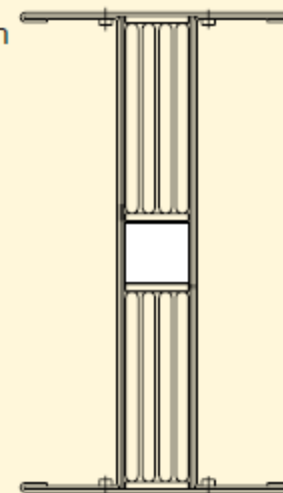
Note: For dimension H, see technical data section

PE: Protection Earth

FE: Functional Earth (Clean Earth)



single bar

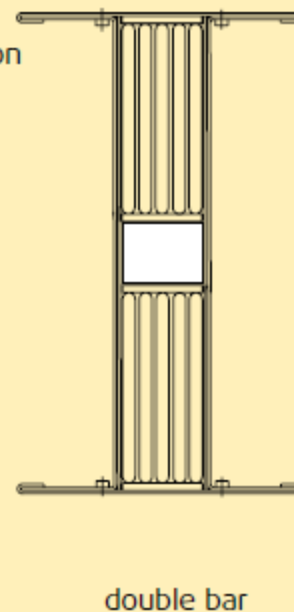
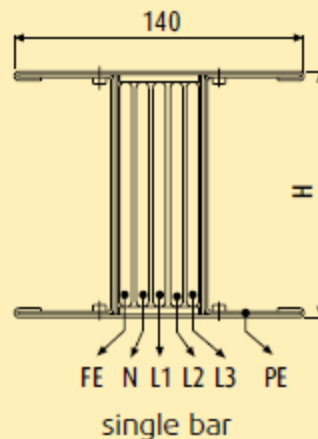


double bar

.5 conductors (3L+N+PE).

SCP5 line with 5 conductors 3L+N+FE+PE

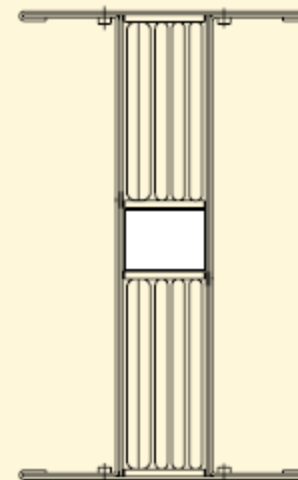
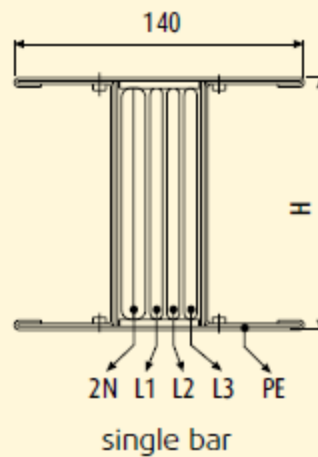
Note: For dimension H, see technical data section
PE: Protection Earth
FE: Functional Earth (Clean Earth)



.5 conductors (3L+2N+PE).

SCP2N 200% neutral line 3L+2N+PE

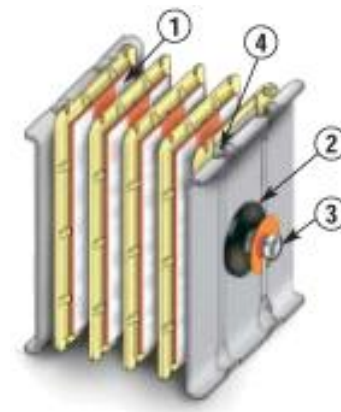
Note: For dimension H, see technical data section
PE: Protection Earth
FE: Functional Earth (Clean Earth)



- Aluminium
 - galvanically plated along the entire surface
 - ratings from 630A to 4000A
- electrolytic copper
 - purity $\geq 99.9\%$
 - ratings from 800A to 5000A
- Conductors are insulated one by one using a double polyester film, and form a sandwich structure in the metallic case.

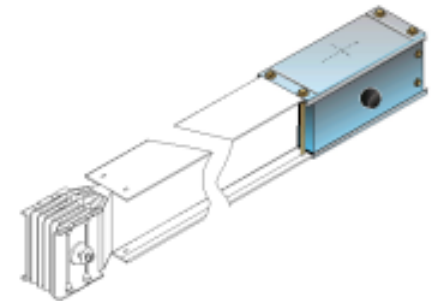
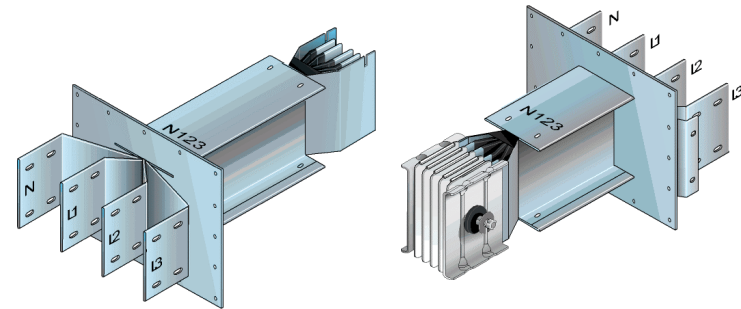
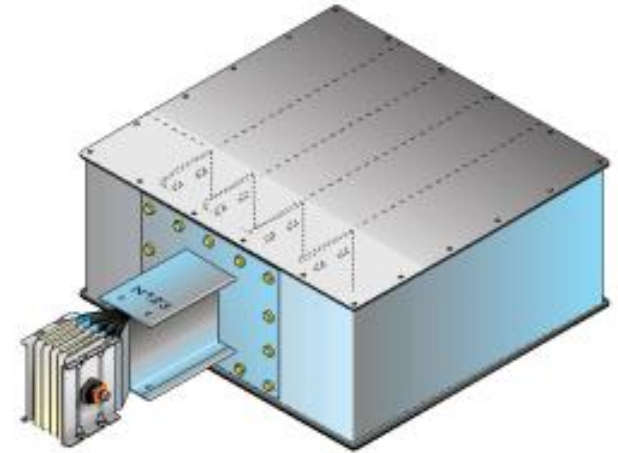


- The electrical and mechanical joining of the trunking elements is achieved with junction flanges and a monobloc system.
- The monobloc performs many functions:
 - It reduces to a minimum the electrical resistance of the junction, thanks to silvered copper plates (1) and to a regular contact pressure (Belleville springs)
 - It makes the installation easier and faster by tightening a bolt with a shearhead nut (3)
 - Thanks to the fixed assembling direction, it avoids installation mistakes (4)
 - It allows to install tap-off boxes up to 1600A



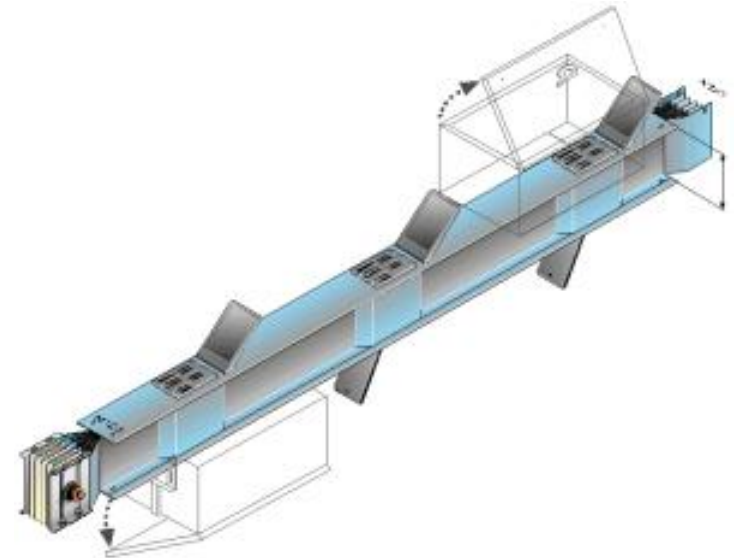
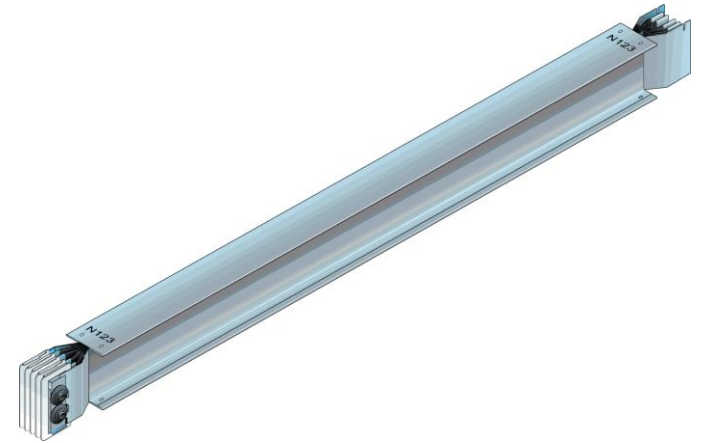
The line offers:

- End feed units for the wiring of protection switches
- Switchboard-transformer connections with connecting plates at fixed distances (special connections on demand)
- end covers with protection degree IP55

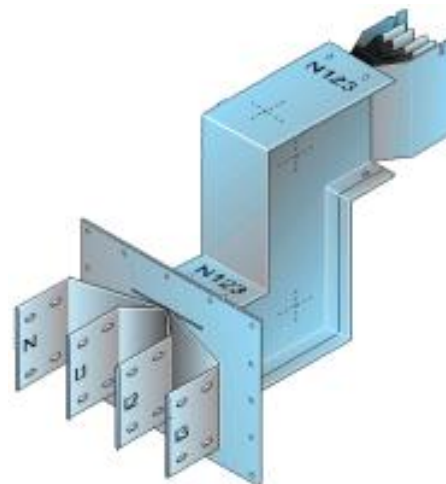
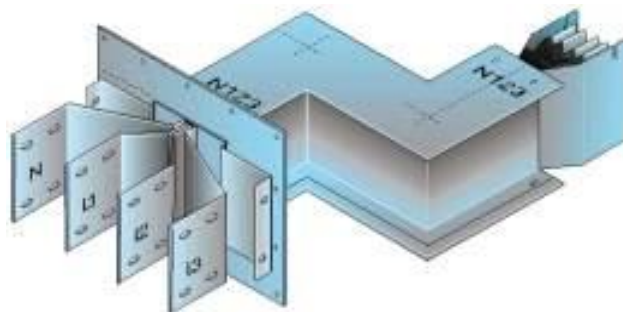
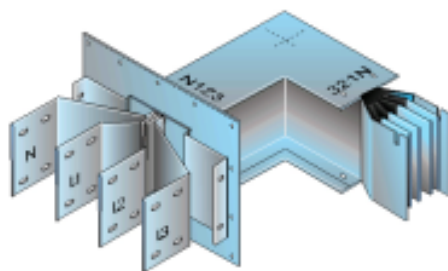
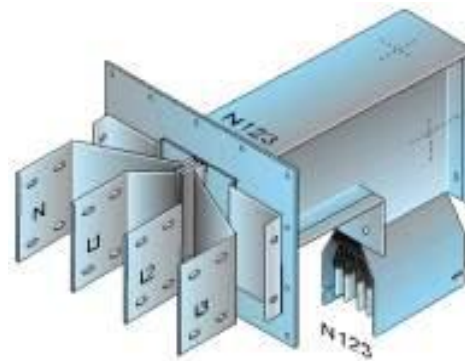
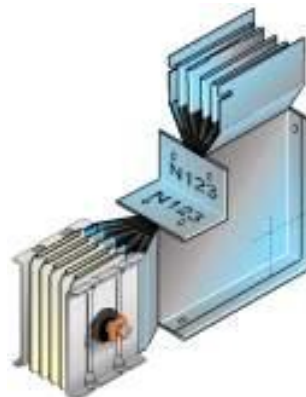
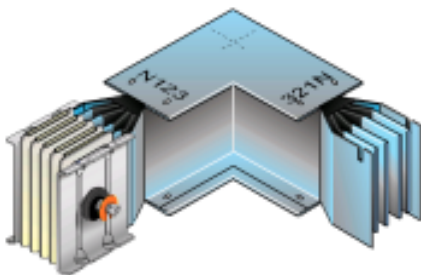


The line offers:

- straight elements with different lengths
 - L=3000mm
 - L=400-500mm
 - L=501-1000mm
 - L=1001-1500mm
 - L=1501-2000mm
 - L=2001-2500mm
 - L=2501-2999mm
- feeder elements with outlets for plug-in boxes

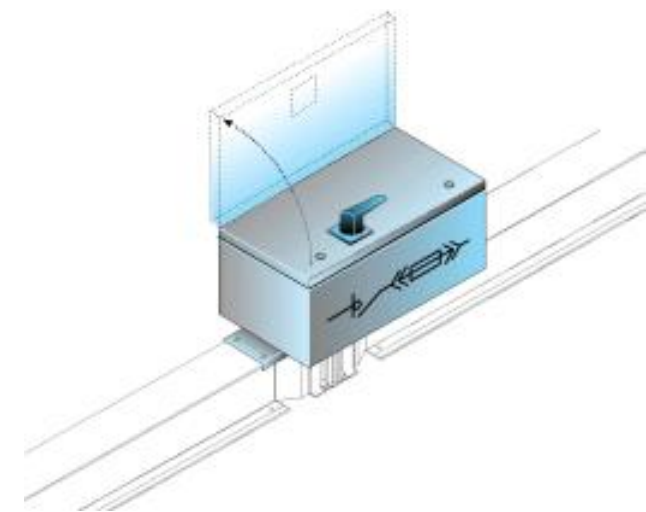
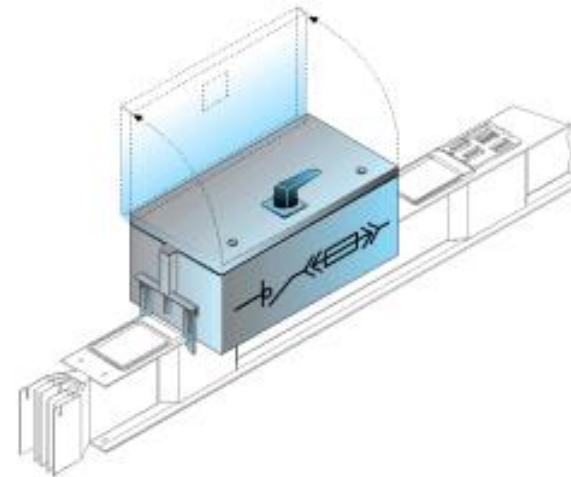


Special elements for complex routing



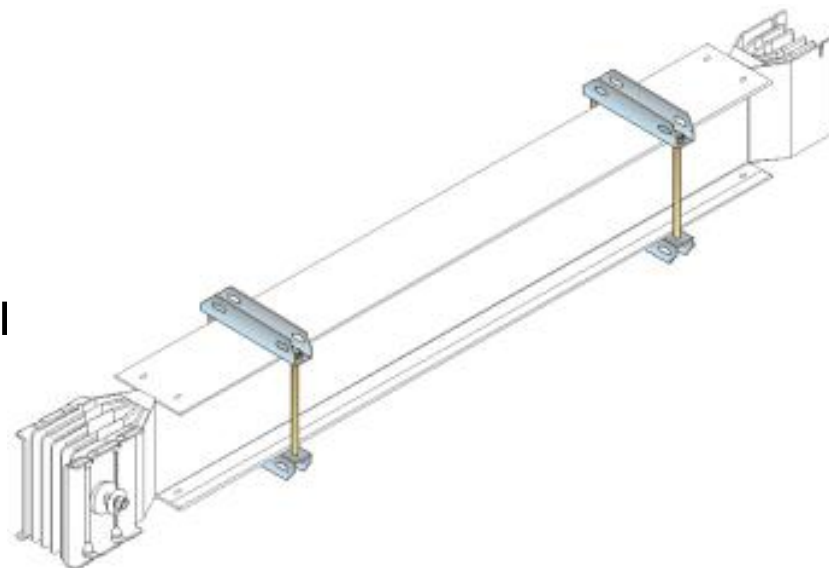
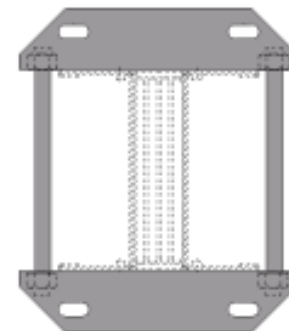
Tap-off boxes

- “Bolt-on” tap-off boxes, 125A to 1250A to be installed on the junction. Can be inserted only when the busduct is disconnected.
- Tap-off units are also available in “clamp plug version” from 63A to 630A ratings as plug-in units. Can be operated even when the system is alive.
- Both types can be supplied fitted with fuse switches or circuit breakers (MCCB) as required.

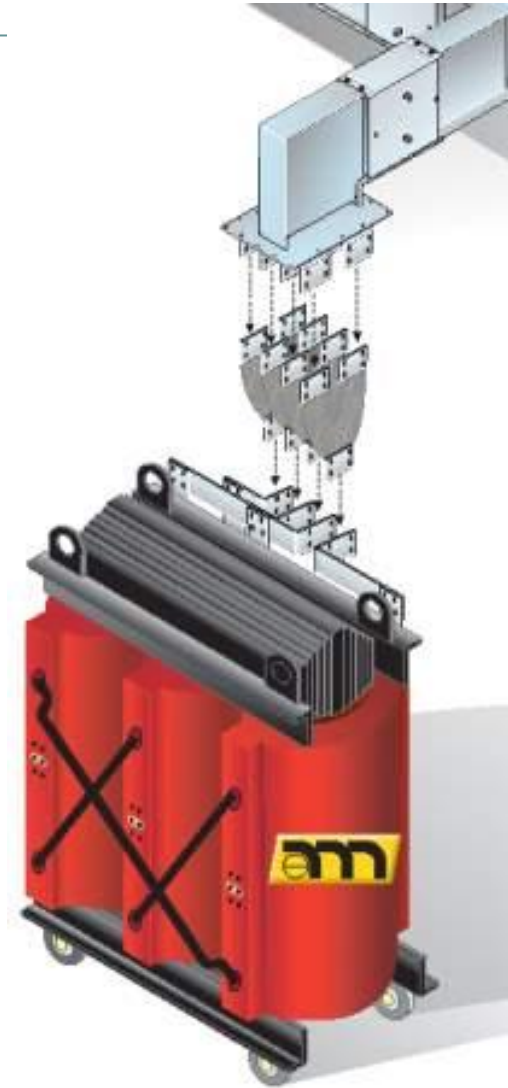


Suspension brackets

- Suspension brackets clamp around the structure of SuperCompact and create a fastening point for suspension brackets (supplied on demand).
- The maximum fixing distance for SuperCompact is 3m. In normal conditions Zucchini recommends an optimum fixing distance of 2m.



- Special elements are available for connections to switchboards and transformers, complete with straps, flexible joints and protection boxes if needed.
- When passing through walls, it is available a fire barrier to be positioned outside the trunking to reinstate the fire resistance of the wall. All plastic materials are self-extinguishing and not fire propagating.



Technical data

- $I_n = 630\text{A} \dots 4000\text{A}$ aluminium conductors
 $800\text{A} \dots 5000\text{A}$ copper conductors
- $U_e = U_i = 1000\text{ V}$
- I_{cw} from $36\text{ kA}_{\text{rms}}$ a $176\text{ kA}_{\text{rms}}$
- IP55 without accessories
- IK10: excellent mechanical resistance!

Thank you